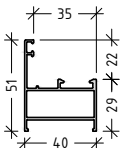

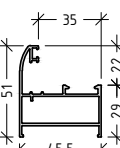
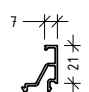
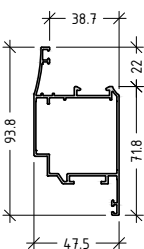
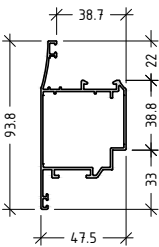
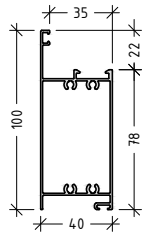
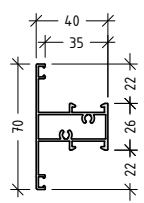


Техническият бюлетин N 37 съдържа:

Нови стандартни профили за врати

1. Профил за каса прав – 29406
2. Профил за каса заоблен – 29407
3. Профил Z образен – 29410
4. Профил Т образен – 29411
5. Делител - 29494
6. Табла - 29493
7. Стъклодържатели - 34260; 34259
8. Детайли
9. Обработки
10. Аксесоари

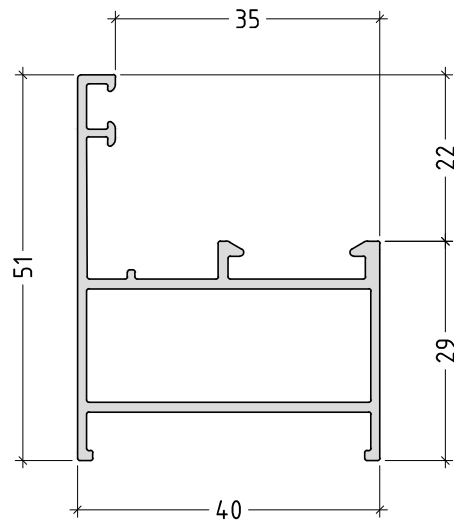
Standard profiles

code	profile	length weight moment of inertia	code	profile	length weight moment of inertia
29406 frame		L=6.01 m 607.2 g/m package - 8pcs	34260		L=6.01 m 268 g/m
29407 frame		L=6.01 m 694.4 g/m package - 8pcs	34259		L=6.01 m 215 g/m
29410 sash		L=6.01 m 952.8 g/m package - 4pcs			
29411 sash		L=6.01 m 953.4 g/m package - 4pcs			
29493		L=6.01 m 1098 g/m			
29494		L=6.01 m 777 g/m			

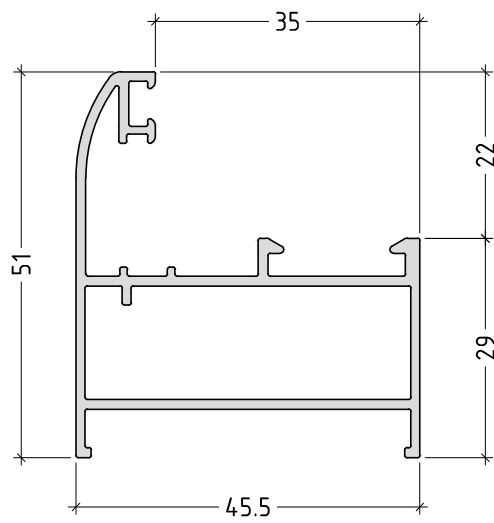
L--01

Standard profiles

29406
frame
607.2 g/m



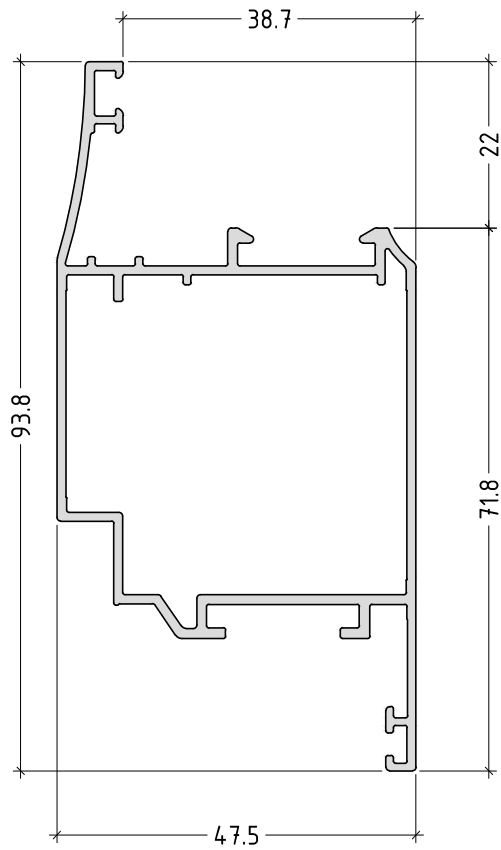
29407
frame
694.4 g/m



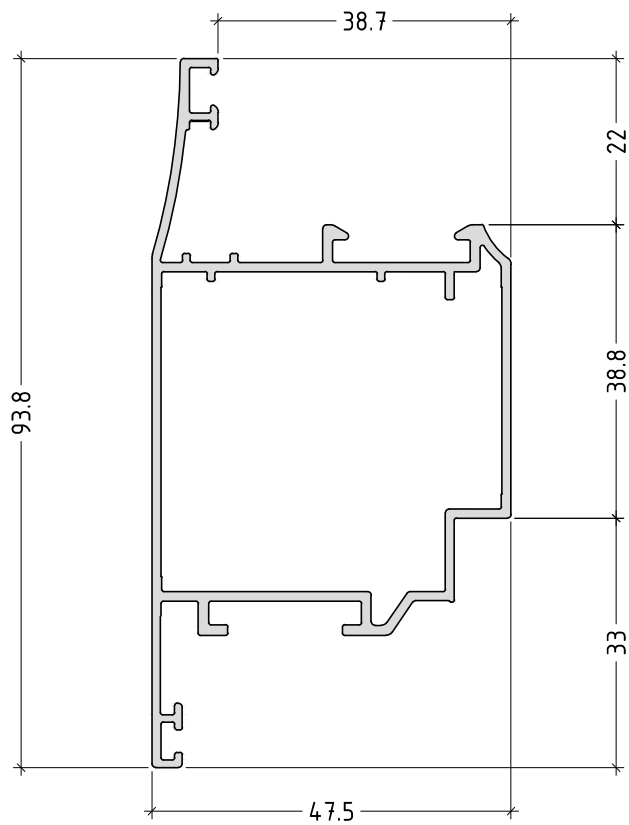
scale : 1:1

Standard profiles

29410
sash
952.8 g/m



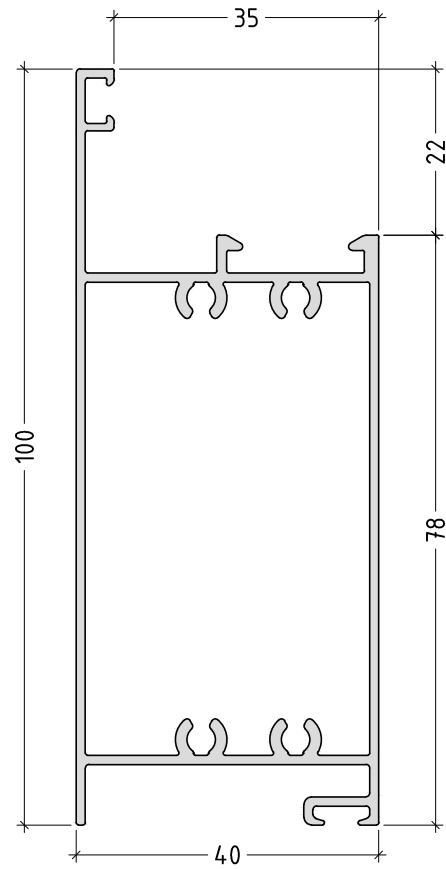
29411
sash
953.4 g/m



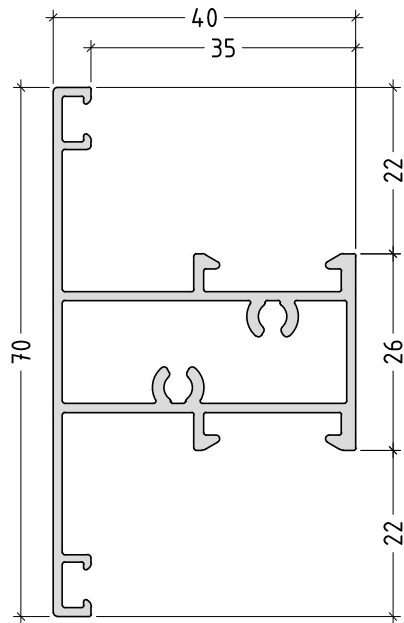
scale : 1:1

Standard profiles

29493
1098 g/m



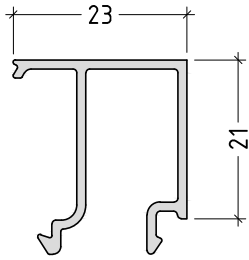
29494
777 g/m



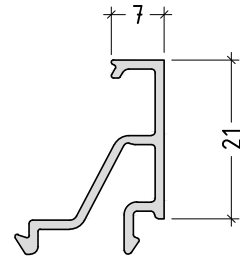
scale : 1:1

Standard profiles

34260
268 g/m



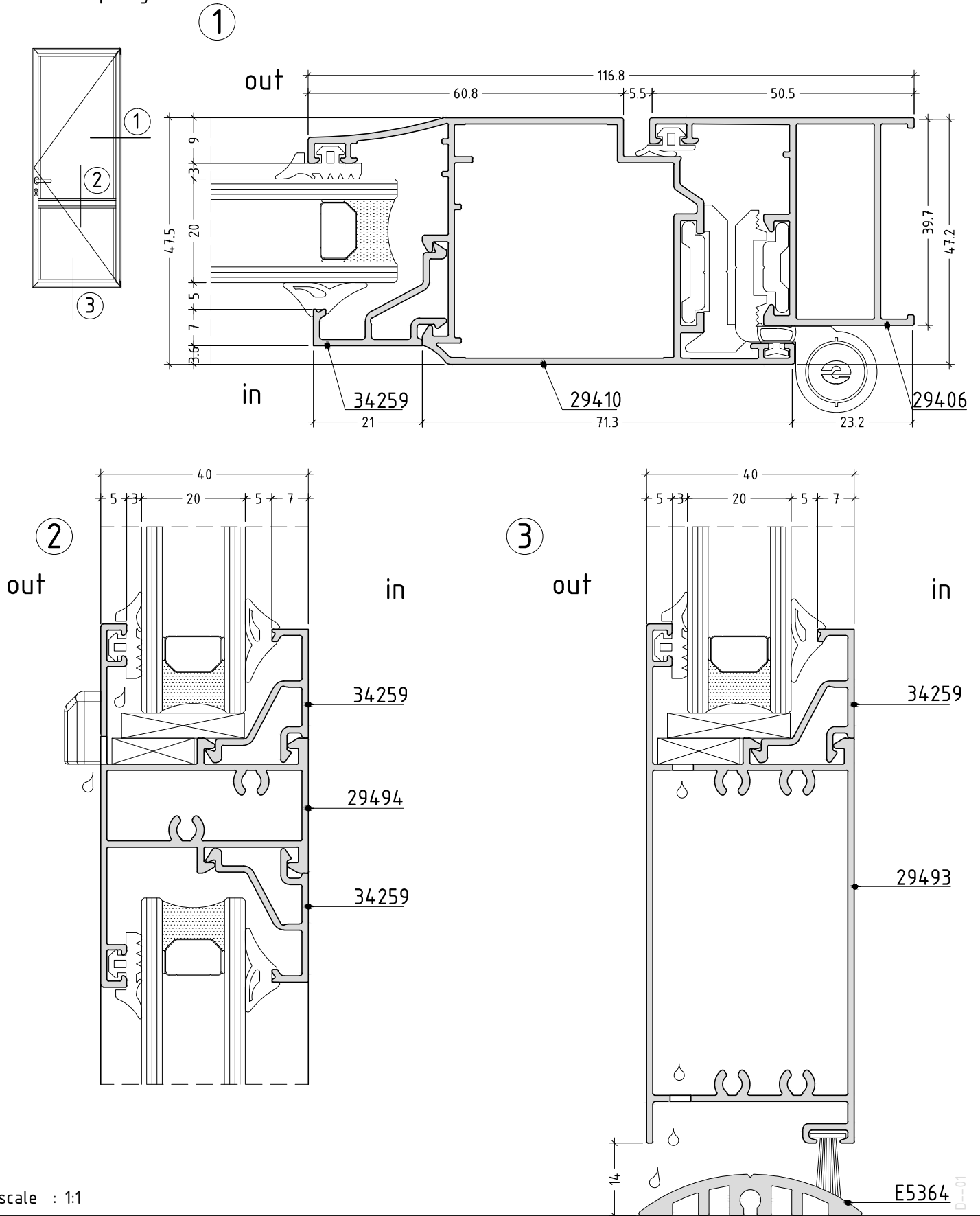
34259
215 g/m



scale : 1:1

Standard profiles

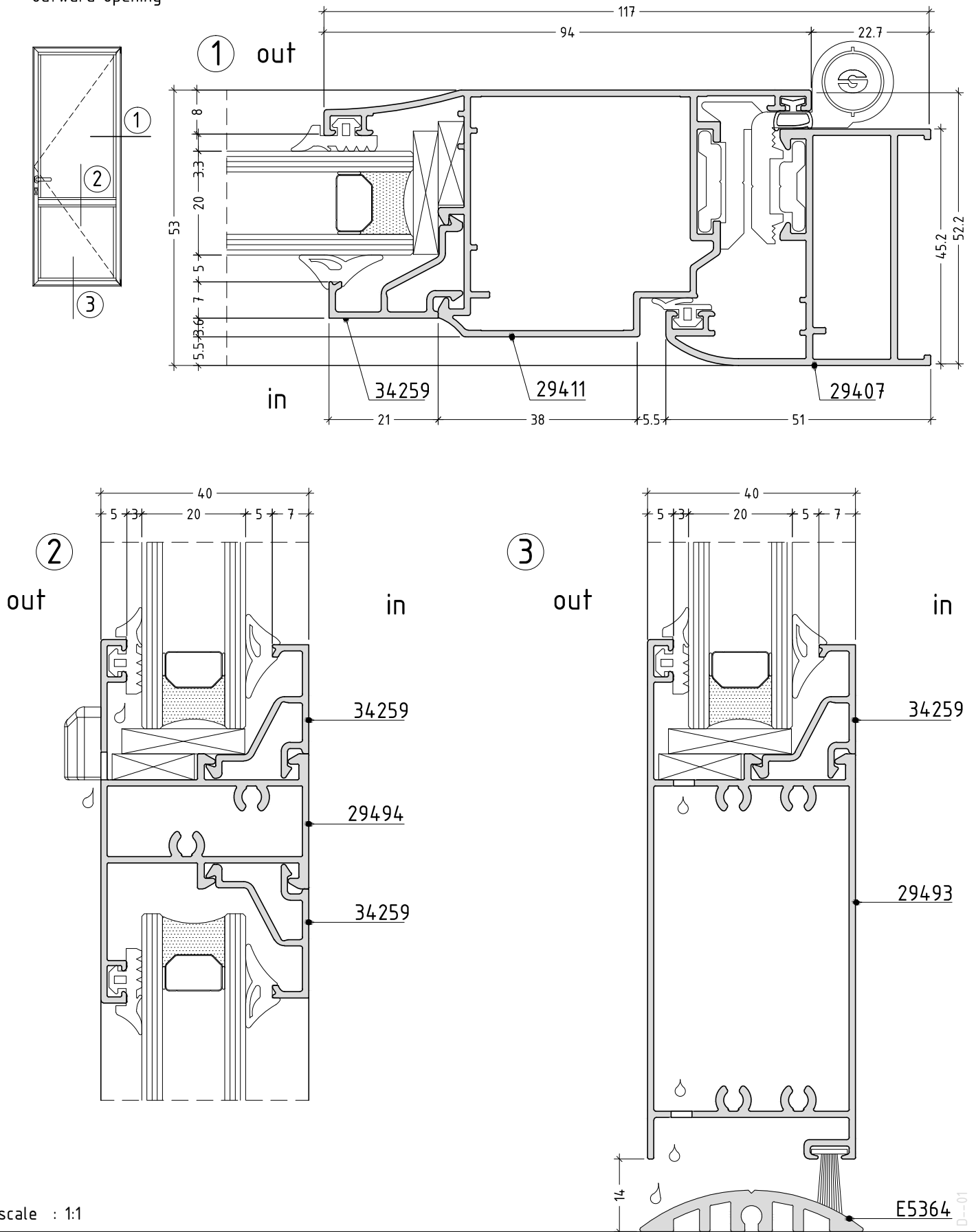
inward opening



scale : 1:1

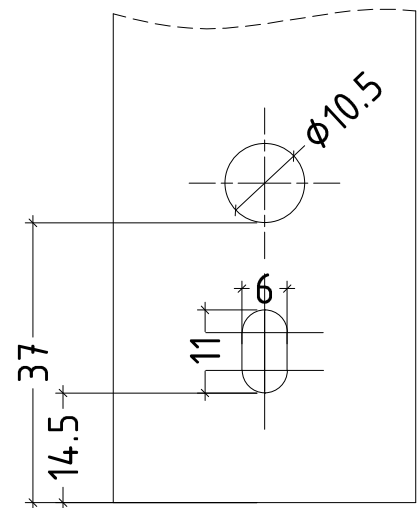
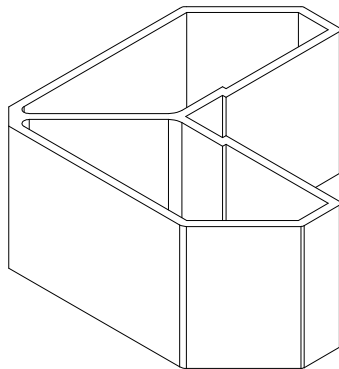
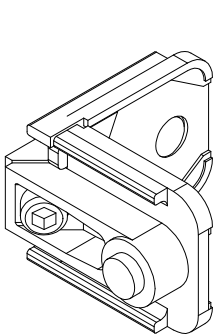
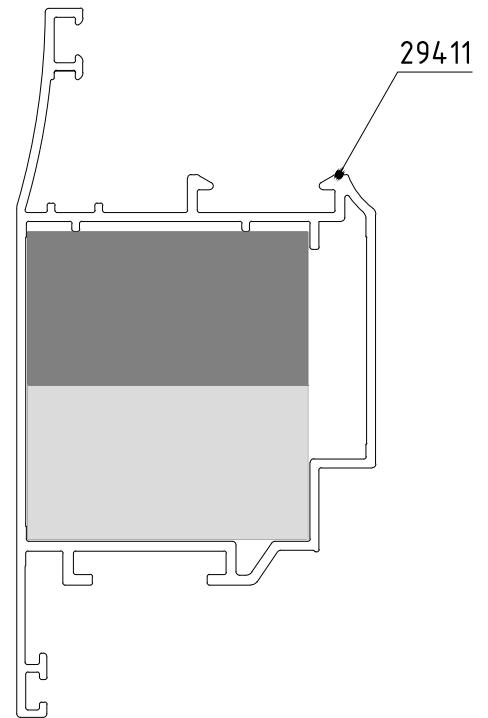
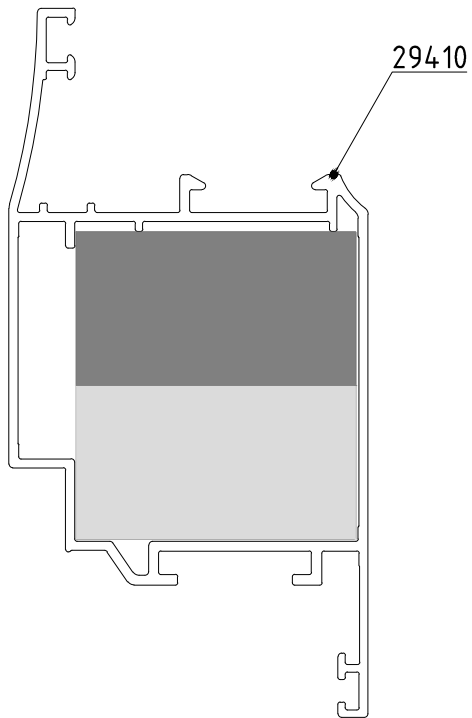
Standard profiles

outward opening



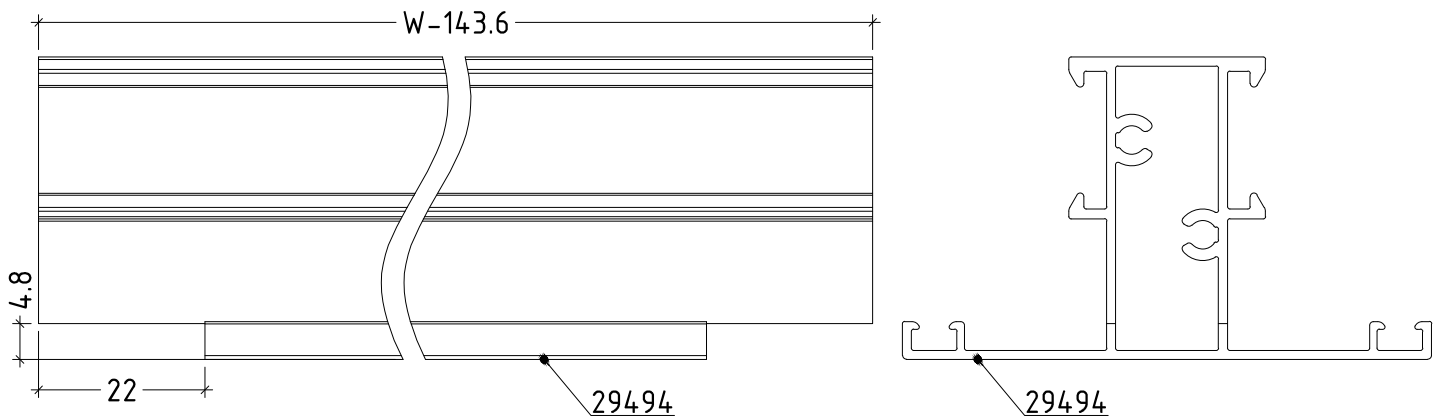
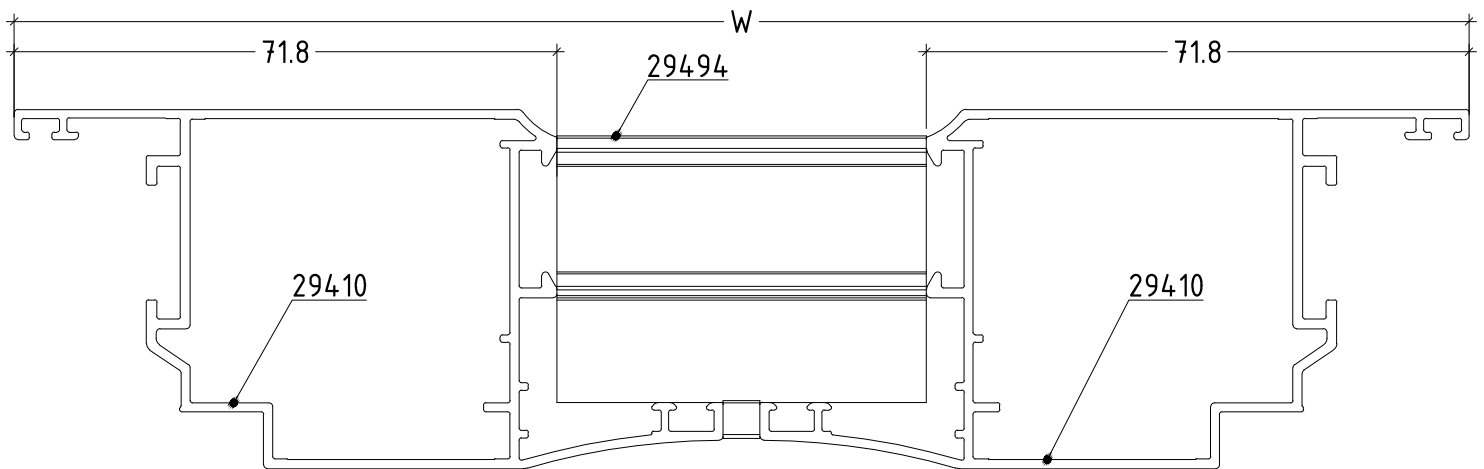
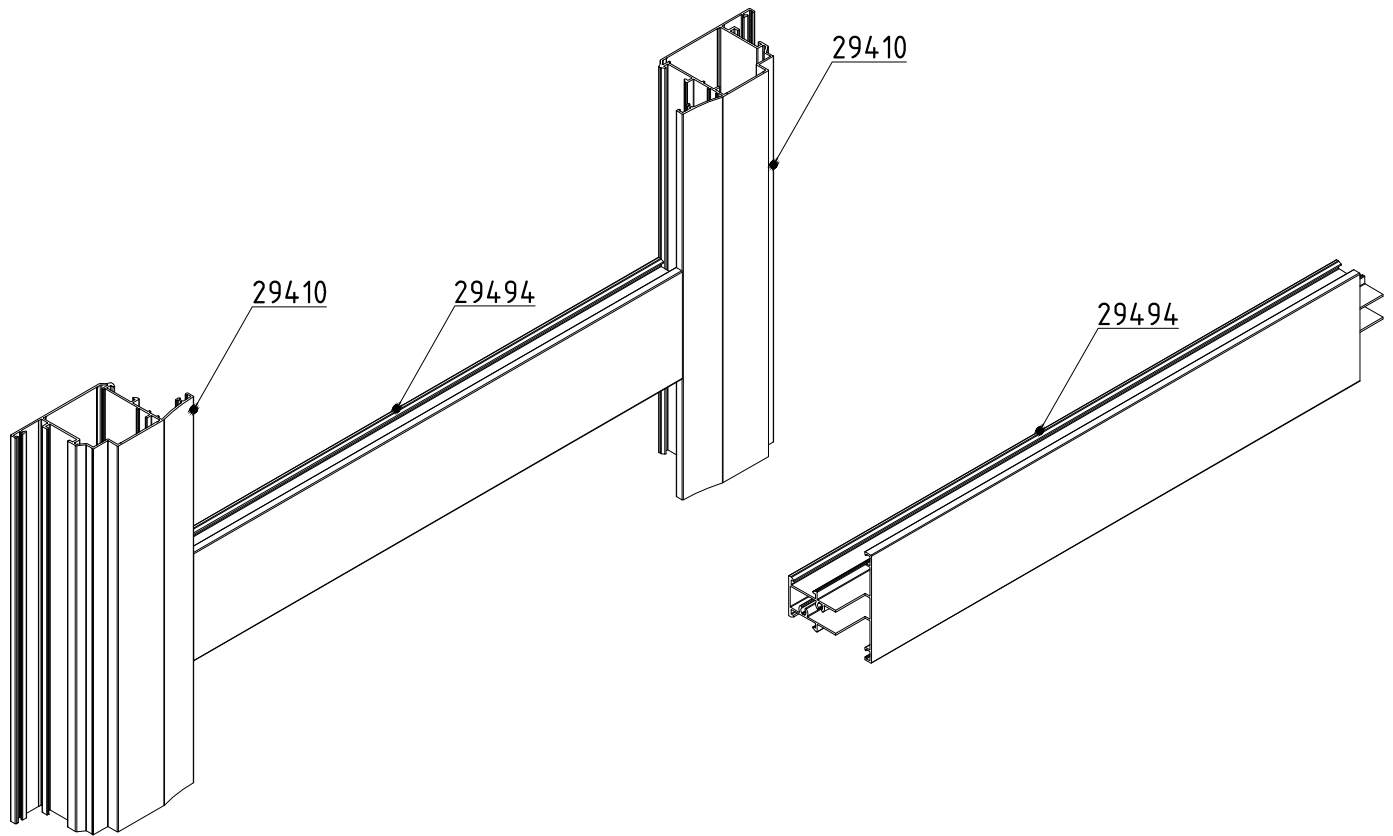
scale : 1:1

Standard profiles

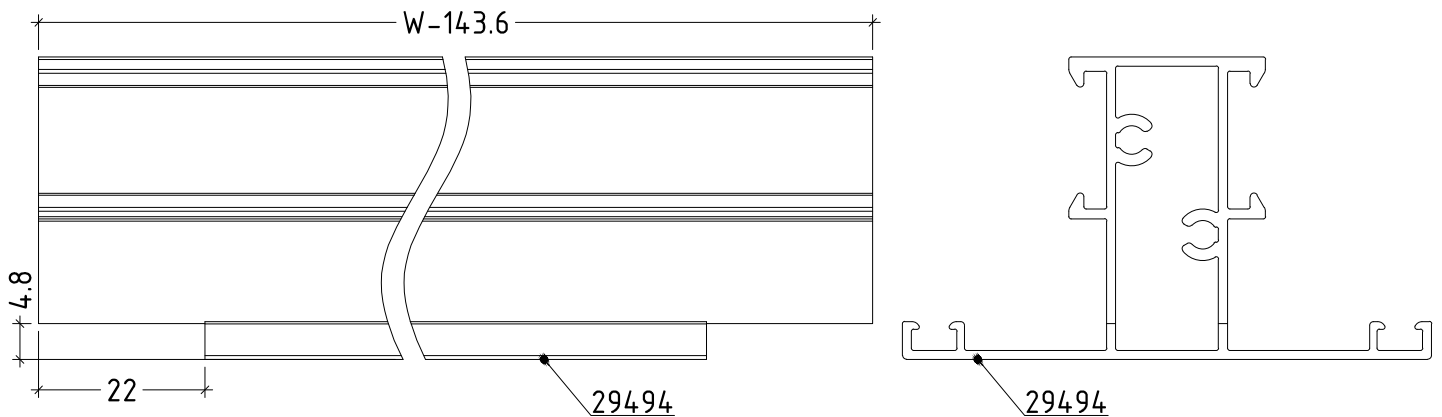
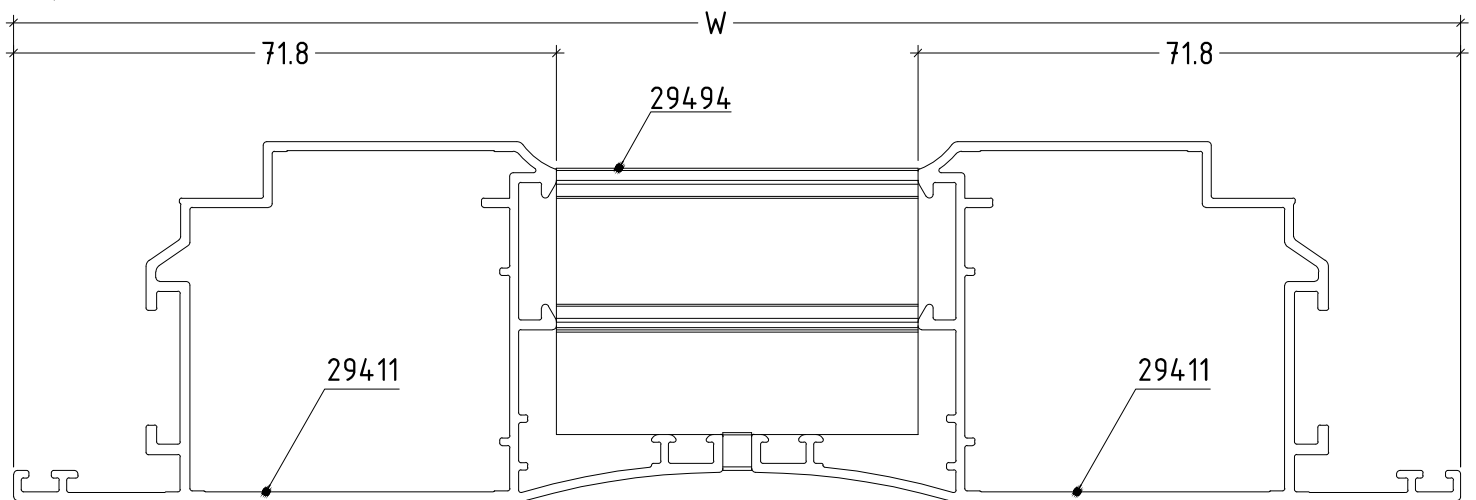
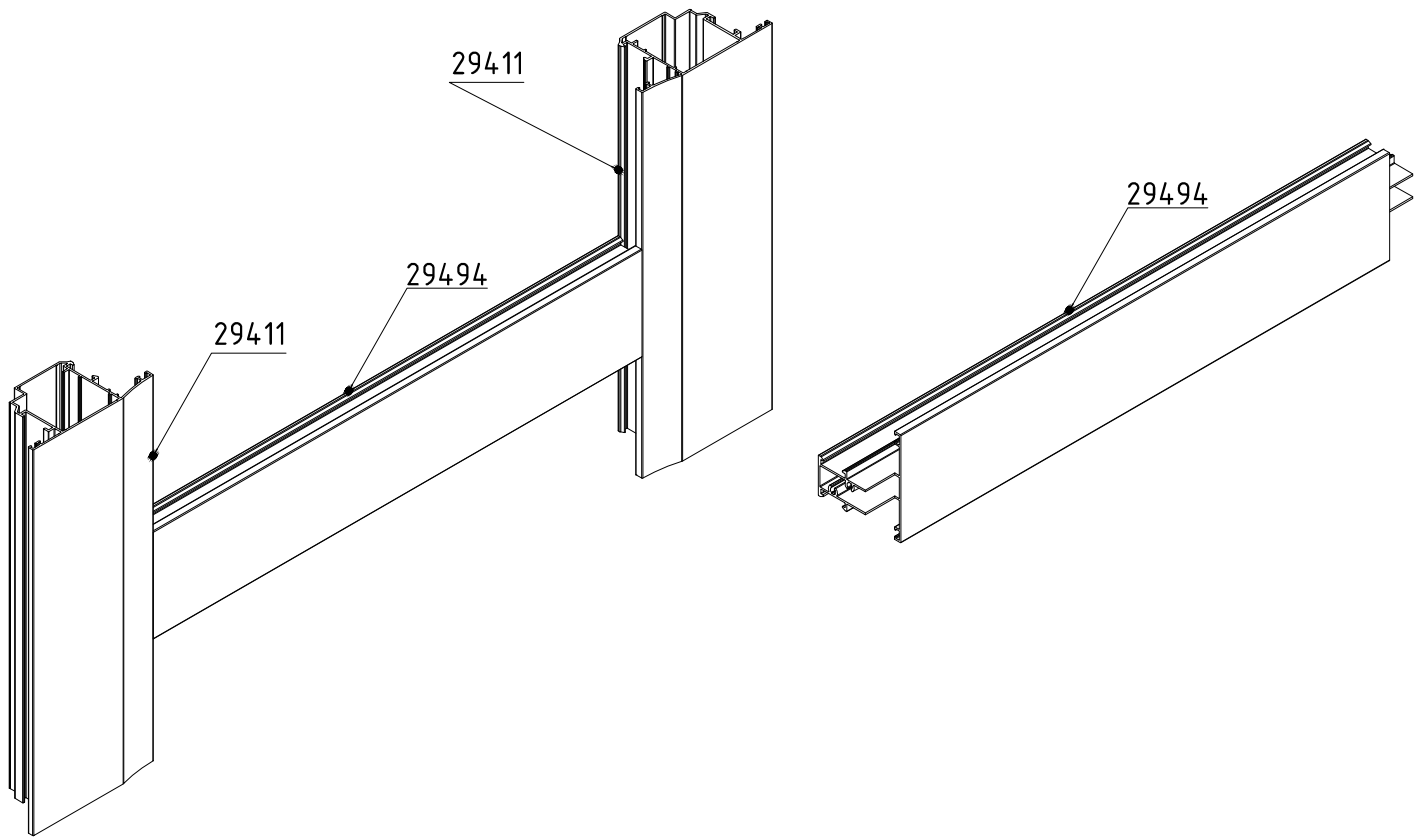


Attention:
Use glue for corner bracket!

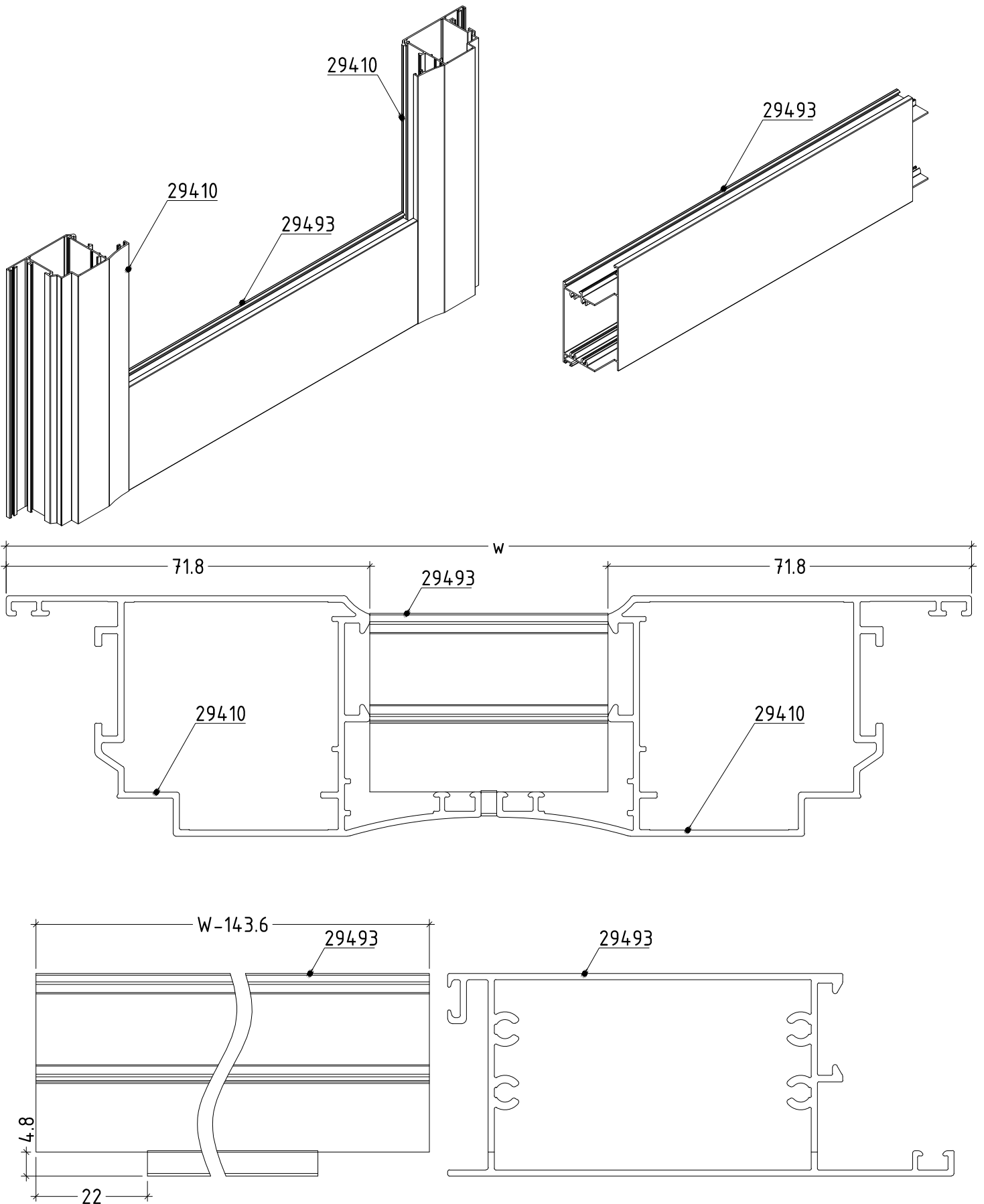
Standard profiles



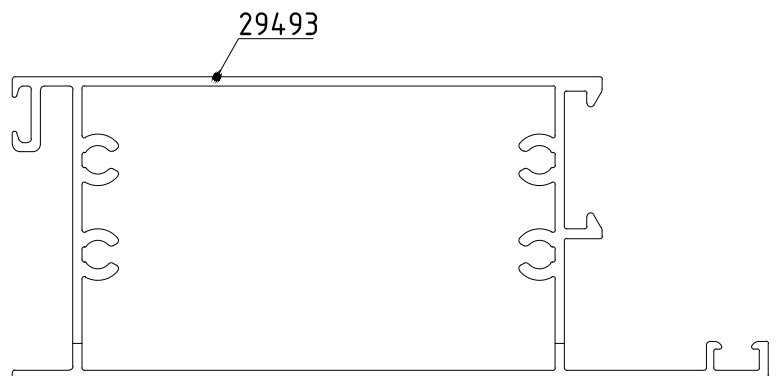
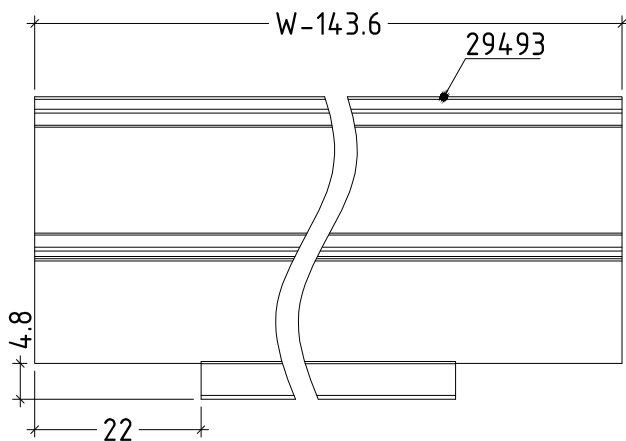
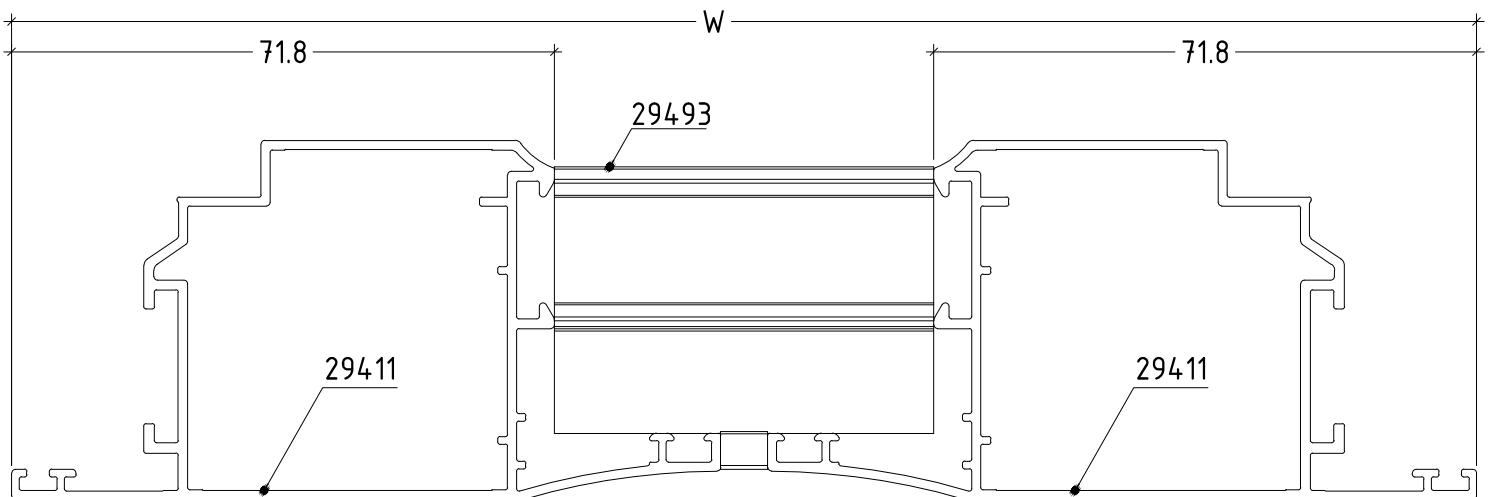
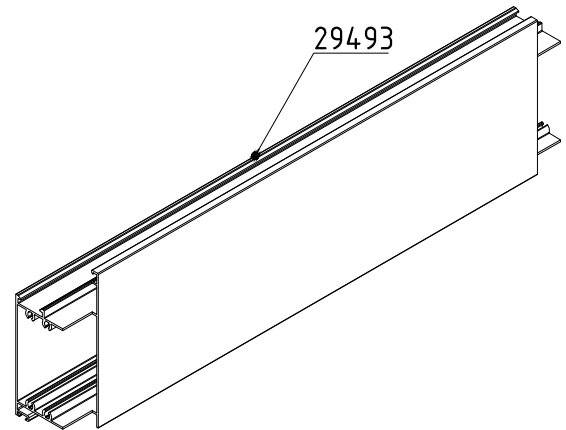
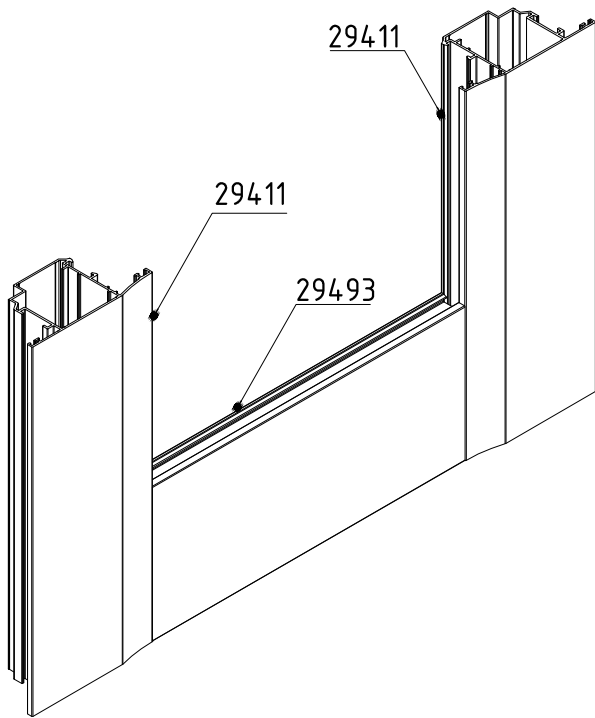
Standard profiles



Standard profiles



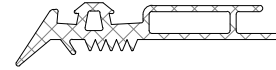
Standard profiles



Standard profiles

code/description	package/pcs	colour
ET 130402.00	60	●

elongated glazing EPDM
gasket E40 - E45 3mm



ET 130411.00	150	●
--------------	-----	---

glazing EPDM gasket for
E1000 E40 E45 3mm



ET 130153.00	150	●
--------------	-----	---

glazing EPDM gasket 4mm



ET 130152.00	320	●
--------------	-----	---

internal seal EPDM gasket



Standard profiles

code/description	package/pcs	colour
ET 130174.00	160	●

interior seal EPDM gasket
top line



ET 130131.00	200	●
--------------	-----	---

interior seal gasket E2300
E1000 E40 E45



ET 130175.00	250	●
--------------	-----	---

glazing EPDM gasket
press-in 3-4mm



ET 130176.00	125	●
--------------	-----	---

glazing EPDM gasket
press-in 5-6mm



Standard profiles

code/description	package/pcs	colour
ET 130177.00	60	●

glazing EPDM gasket
press-in 7-8mm



ET 990619.00	125	●
ET 130205.00	125	●

P5 old code

glazing EPDM gasket
press-in 5mm



ET 990620.00	125	●
ET 130206.00	125	●

P6 old code

glazing EPDM gasket
press-in 6mm



ET 130207.00	75	●
--------------	----	---

P7 old code

glazing EPDM gasket
press-in 7mm



Standard profiles

code/description	package/pcs	colour
ET 130208.00	40	●

P8 old code

glazing EPDM gasket
press-in 8mm



ET 994412.00	40	●
--------------	----	---

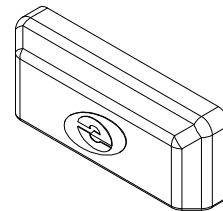
P10 old code

glazing EPDM gasket
press-in 10mm



ET 074605.00	100	●
--------------	-----	---

plastic drain cap 20x6mm



ET 135412.02	-	●
--------------	---	---

brush

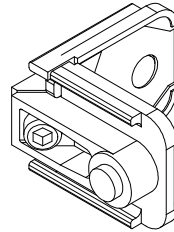


Standard profiles

code/description	package/pcs	colour
ET 053302.00	250	MF

die cust al. joint corner
bracket for frame

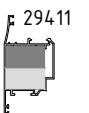
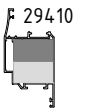
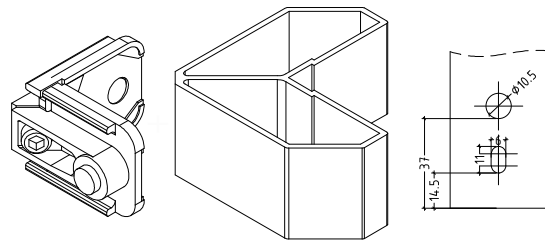
Attention:
Use glue for corner bracket!



ET 053335.00	250	MF
ET 050005.00	80	MF

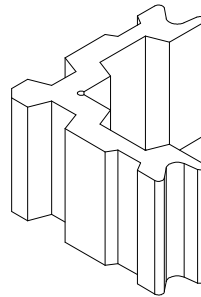
die cust al. joint corner
bracket for sash + extruded
al. shimming corner

Attention:
Use glue for corner bracket!



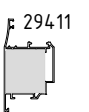
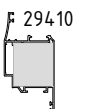
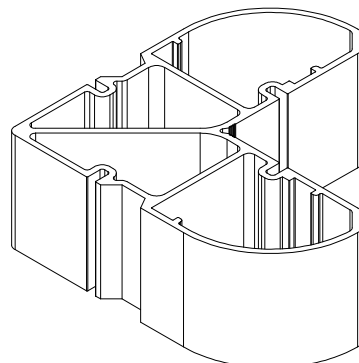
ET 054401.00	100	MF
--------------	-----	----

extruded joint corner
bracket for
crimping machine - frame



ET 054663.00	100	MF
--------------	-----	----

extruded joint corner
bracket for
crimping machine - sash



A--04

Standard profiles

code/description	package/pcs	colour
ET 058001.00	250	MF

alignment square with locking function

